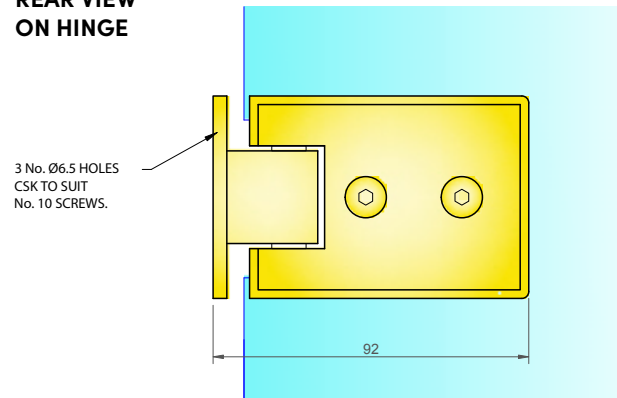
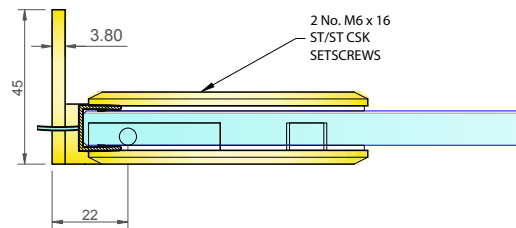


REAR VIEW ON HINGE

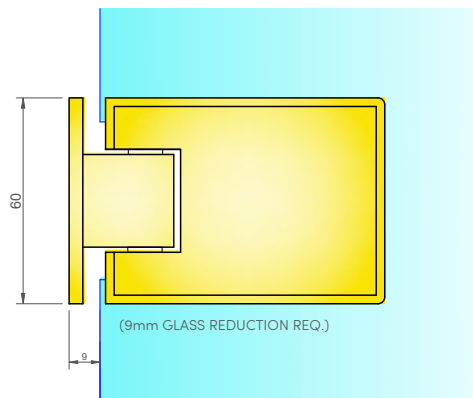


PLAN VIEW ON HINGE

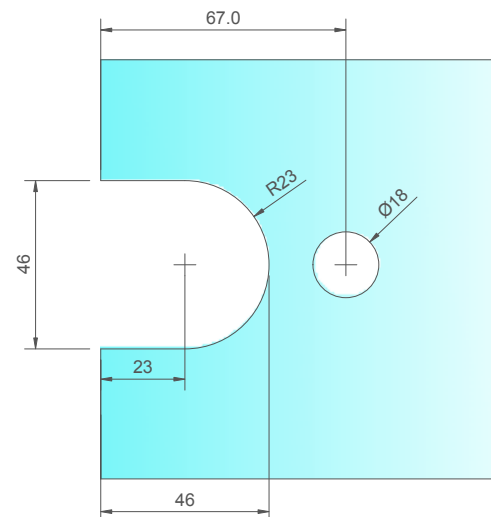
Seal shown is SH/GGA/S06(/10), sold separately.



FRONT VIEW ON HINGE



REQUIRED GLASS PREP



NOTES/SPECIFICATION:

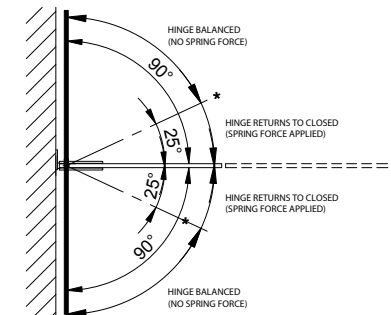
ALL HINGE COMPONENTS IN MATT BLACK

PRODUCT SUITABLE FOR 8MM AND 10MM TOUGHENED GLASS

HINGE SUPPLIED COMPLETE WITH:-

- 1) 2 NO. X 1.4MM TRANSLUCENT RUBBER GLAZING WASHERS.
- 2) 2 NO. M6 BRASS PLATED STAINLESS STEEL SOCKET HEAD CSK SETSCREWS

(NOTE CUSTOMER TO PROVIDE WALL FIXINGS TO SUIT APPLICATION AND STRUCTURAL REQUIREMENT)



PRODUCT REF:	SH/APH/H04/M-B
DESCRIPTION:	DIMENSIONED ELEVATIONS AND GLASS PREP DETAILS
DRAWING REF:	SH/APH/H04/M-B